



BRIEF INFORMATION

Power Beam 5000

- Trailblazing LED worklight
- Huge light output
- For extreme, high-performance use

PRODUCT FEATURES

HELLA presents the Power Beam 5000, the new, trailblazing generation of LED worklights. The Power Beam 5000 was developed using the latest technologies and materials for work in the toughest conditions on construction sites and in mining.

23 high-power LEDs generate an impressive light output of 5,100 lumens, which is distributed evenly across the entire working area by a specially developed multi-faceted reflector. The light can be operated at both 12 V and 24 V. The integrated electronics are protected against inverse polarity and equipped with an LED fault jumper. This ensures that the worklight still functions even in the unlikely event of LED failure and guarantees a constant level of brightness even if the operating voltage fluctuates from 9 to 33 volt.

With a colour temperature of 6,500° Kelvin, the light from the LED worklight is very similar to daylight. This means that colours appear true at night, making it easier for the human eye to perceive them. This in turn prevents the eyes from tiring quickly when working at night.

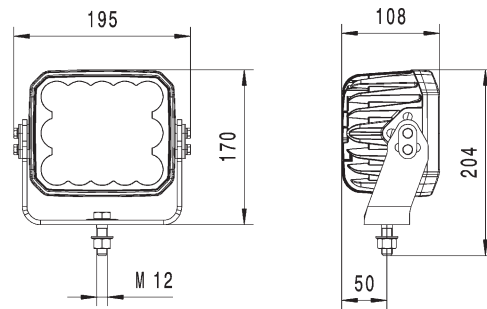
The worklight's black housing is made of aluminium and incorporates cooling fins. These ensure sufficient heat dissipation from the 23 high-power LEDs. Additionally, a temperature sensor protects the worklight from overheating. This sophisticated system is the only way in which the long service life of the LEDs (up to 130 times longer than a halogen bulb) can be exploited.

TECHNICAL DETAILS

Technical Data

Operating voltage/ Rated voltage	9–33 V
Recommended angle of inclination	Close-range: 12°, long: 5°
Light source type	23 high-power LEDs
Power consumption	100 W (12 V), 80 W (24 V)
Light output	5,100 lm
Colour temperature	6,500° Kelvin
Protection class	IP 6K9K and IP 6K7
Type approval	Ⓜ, ECE-R10
Housing	Aluminium, painted black
Light exit area	105 x 95 mm
Weight	3,100 g

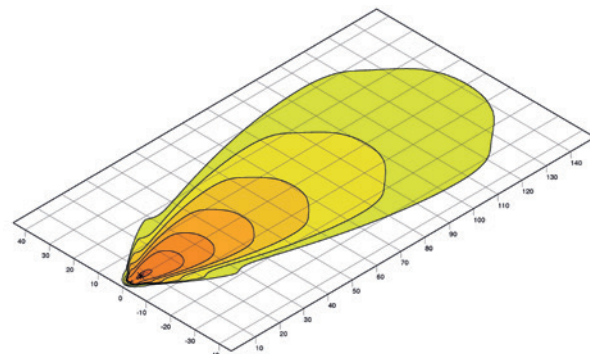
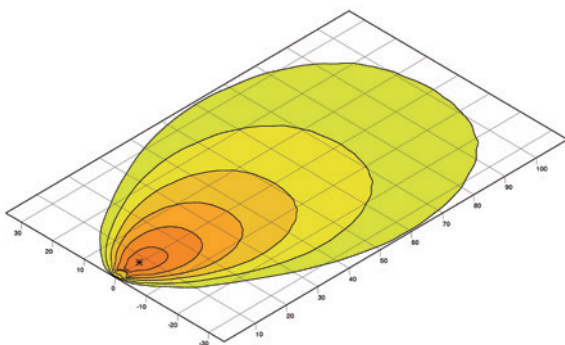
Dimensional sketch



RANGE OVERVIEW

1GB 996 194-...	-001	-011	-031
Close-range illumination	X	X	-
Long-range illumination	-	-	X
Upright mounting	X	X	X
Suspended mounting	X	X	X
Connection	DEUTSCH plug	200 mm cable	DEUTSCH plug
Nylon lens	X	X	X
Protected against overheating	X	X	X
Polarity reversal protection	X	X	X

LIGHT DISTRIBUTION



Close-range illumination

Long-range illumination

